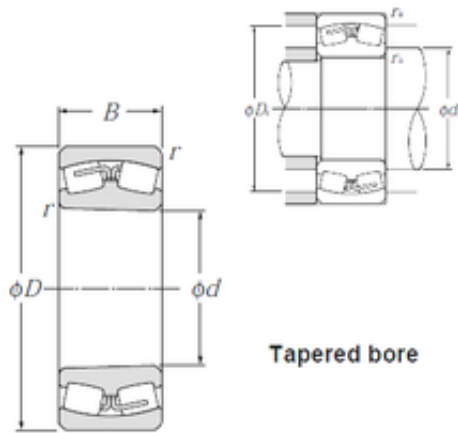




DNT BEARING CORP.

23960K NTN Spherical Roller Bearings



Bearing No. 23960K

23960K Bearing 2D drawings and 3D CAD models

| | |
|-------------------------------|---------------|
| Size | 300x420x90 mm |
| Bore Diameter | 300 mm |
| Outer Diameter | 420 mm |
| Width | 90 mm |
| d | 300 mm |
| D | 420 mm |
| B | 90 mm |
| C | 90 mm |
| r min. | 3 mm |
| da min. | 314 mm |
| Da max. | 406 mm |
| ra max. | 2,5 mm |
| Weight | 38,7 Kg |
| Basic dynamic load rating (C) | 1 110 kN |
| Basic static load rating (C0) | 2 320 kN |
| (Grease) Lubrication Speed | 770 r/min |
| (Oil) Lubrication Speed | 1 000 r/min |
| Calculation factor (e) | 0,2 |
| Calculation factor (Y0) | 3,27 |
| Calculation factor (Y1) | 3,34 |
| rs min | 3 mm |
| Number of lubrication holes | 8 |
| b | 14 mm |
| k | 8 mm |
| Associated sleeve reference | H3960 |
| e | 0.2 |



DNT BEARING CORP.

| | |
|---|-----------|
| Y1 | 3.34 |
| Y2 | 4.98 |
| Y0 | 3.27 |
| Radial clearance class | CN |
| Dynamic load, C | 1,110 kN |
| Static load, C0 | 2,320 kN |
| Fatigue limit load, Cu | 198 kN |
| Nref | 1,000 rpm |
| Nlim | 1,300 rpm |
| Min operating temperature, Tmin | -40 ° C |
| Max operating temperature, Tmax | 120 ° C |
| Characteristic cage frequency, FTF | 0.46 Hz |
| Characteristic rolling element frequency, BSF | 13.32 Hz |
| Characteristic outer ring frequency, BPF0 | 16.67 Hz |
| Characteristic inner ring frequency, BPF1 | 19.33 Hz |
| da min | 312.4 mm |
| db min | 312 mm |
| Ce min | 12 mm |
| Da max | 407.6 mm |
| ra max | 2.5 mm |
| Category | Bearings |
| Inventory | 0.0 |
| Manufacturer Name | NTN |
| Minimum Buy Quantity | N/A |
| Weight / Kilogram | 38.7 |
| Product Group | B04311 |